

4

3

2

1

SPECIFICATIONS:

POWER RATING: 600 WATTS AVG. AT 25°C. (UNI-DIRECTIONAL)
 DERATED LINEARLY TO 50 WATTS AT 125°C
 IMPEDANCE: 50 OHMS NOMINAL
 FREQUENCY RANGE: DC TO 2.4GHz
 VSWR: DC TO 1GHz AT 1.10:1 MAX.
 1GHz TO 2.4 GHz AT 1.25:1 MAX.
 AMBIENT TEMPERATURE: -40°C TO +40°C
 COOLING FIN: ALUMINUM, BLACK ANODIZED
 HEAT SPREADER: ALUMINUM, BLACK ANODIZED
 CONNECTOR: N-TYPE FEMALE
 OPERATING POSITION: AS SHOWN (VERTICALLY)
 NOMINAL SIZE: APPROX. 12.00" L X 9.38" H X 9.57" W
 WEIGHT: APPROX. 21.5 LBS

REVISIONS		DWG. NO.	600-T-FN	SHEET	REV
ZONE	REV	DESCRIPTION		DATE	APPROVED
	A	CONVERT TO BEC FORMAT		DMR 1-7-03	<i>mev</i>

D

D

C

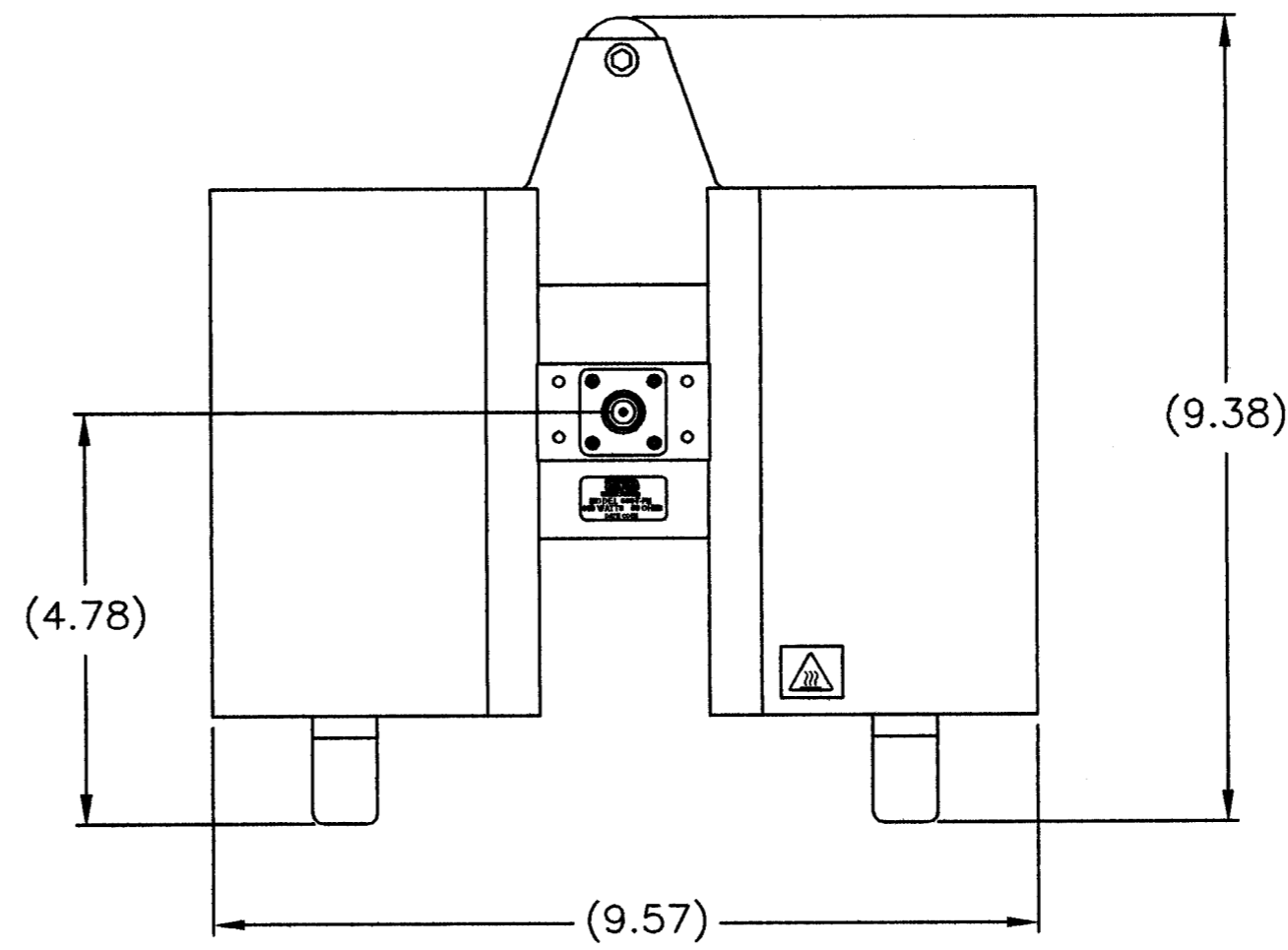
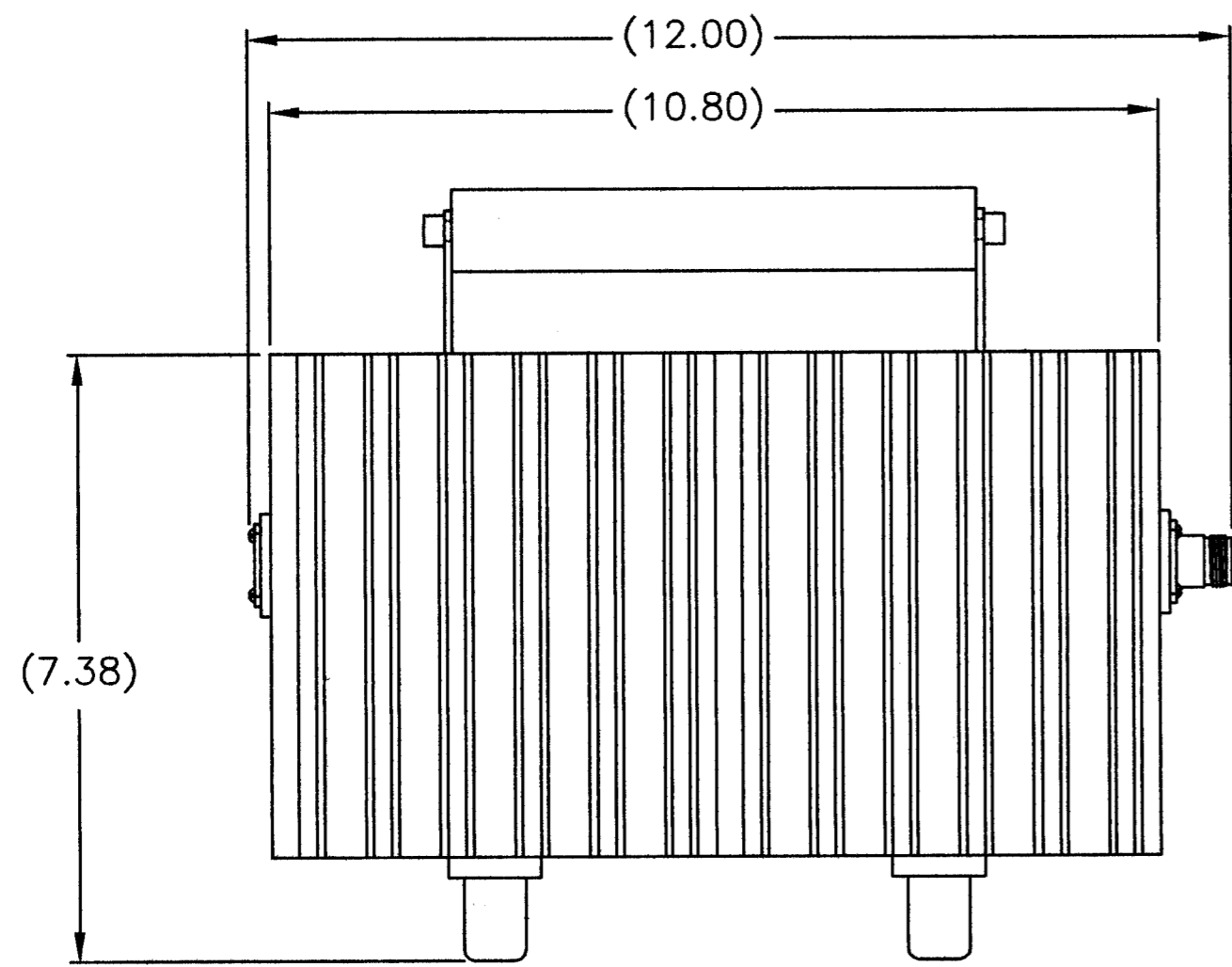
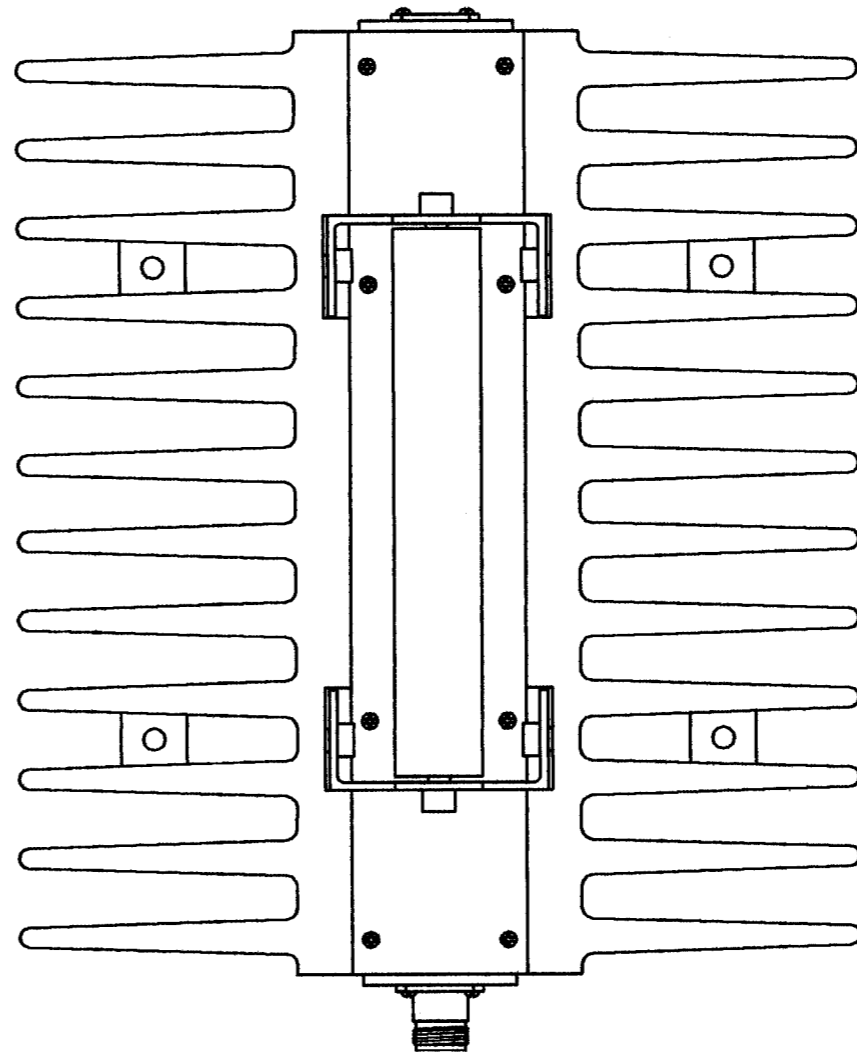
C

B

B

A

A



DIMENSIONS HEREON ARE FOR CUSTOMER CONVENIENCE AND REFERENCE ONLY. TOLERANCE TO BE APPLIED ONLY WHERE INDIVIDUALLY STATED ON THE RESPECTIVE DIMENSION. -DO NOT SCALE DRAWING-

UNLESS OTHERWISE SPECIFIED DIMENSIONS ARE IN INCHES TOLERANCES ARE: FRACTIONS DECIMALS ANGLES ± 1/64 ± .010 ± 30'		MILLIMETERS .X = ± .4 .XX = ± .12		THIS DRAWING IS THE PROPERTY OF THE BIRD ELECTRONIC CORPORATION. THE DESIGNS AND SPECIFICATIONS DISCLOSED HEREON ARE PROPRIETARY AND SHALL NOT BE REPRODUCED, NOR COPIED, NOR USED AS THE BASIS FOR THE MANUFACTURE OR SALE OF APPARATUS OR DEVICES WITHOUT THEIR EXPRESS WRITTEN CONSENT.					
DO NOT SCALE DRAWING				APPROVALS		DATE		TITLE	
MATERIAL				DRAWN		1-7-03		TERMINATION, CONVECTION COOLED, VERTICAL, N-TYPE FEMALE, 600W	
FINISH				CHECKED				SIZE FSCM NO. DWG. NO. REV	
				APPROVED		1-22-03		C 70998 600-T-FN A	
				AUTOCAD				SCALE 1:1 COMM CODE LD1 SHEET 1 OF 1	

4

3

2

1